

# Rickshaw Branding Specs

Please set up graphics within safety areas designated, place elements on a common solid color or small pattern background and bleed background to edge of document.

Media Accepted:	EPS
Preferred Software:	Adobe ILLUSTRATOR
Color set-up: (RGB, CMYK)	CMYK
Layout:	SHOULD BE TO SCALE OR SIZE AS...
DPI:	125 DPI AT FULL SIZE
FONT SHOULD BE OUTLINED	



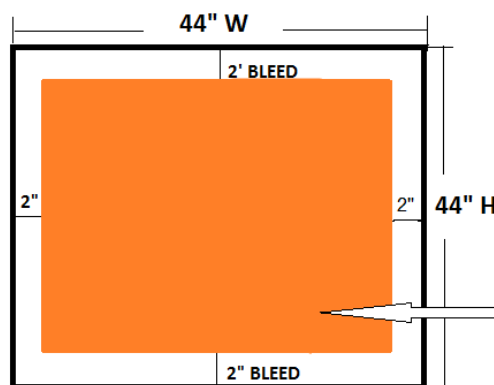
Mike Langille  
 Rickshaw runners Of Toronto Media  
 308 Adelaide St West  
 Toronto On,  
 M5V 1P6  
 T 416 260 1318  
 Mobile 416 930 7146  
[www.RickshawAdvertising.com](http://www.RickshawAdvertising.com)  
[michael@RickshawAdvertising.com](mailto:michael@RickshawAdvertising.com)



# Rear Panel



## REAR PANEL



Copy Safety is 40" w x 40" h  
Elements within safety.  
Place bleed background to fill document.

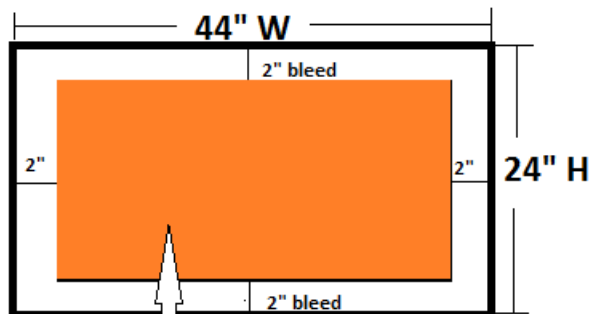
Mike Langille  
Rickshaw runners Of Toronto Media  
308 Adelaide St West  
Toronto On,  
M5V 1P6  
T 416 260 1318  
Mobile 416 930 7146  
[www.RickshawAdvertising.com](http://www.RickshawAdvertising.com)  
[michael@RickshawAdvertising.com](mailto:michael@RickshawAdvertising.com)



# Front Panel



## FRONT PANEL



Copy Safety is 40" w x 20" h  
Elements within safety  
Place bleed background to fill document

Mike Langille  
Rickshaw runners Of Toronto Media  
308 Adelaide St West  
Toronto On,  
M5V 1P6  
T 416 260 1318  
Mobile 416 930 7146  
[www.RickshawAdvertising.com](http://www.RickshawAdvertising.com)  
[michael@RickshawAdvertising.com](mailto:michael@RickshawAdvertising.com)

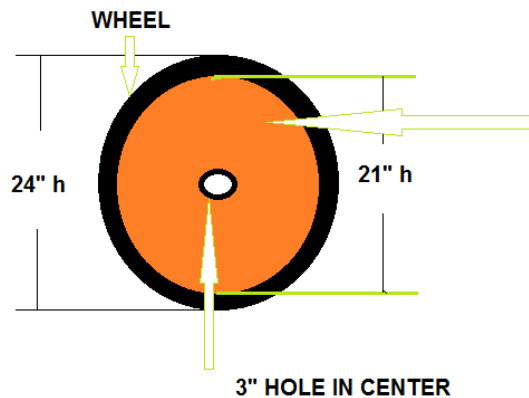


# Wheel Disk Covers



OPTIONAL

## WHEEL DISK COVERS [ROUND]



Copy Safety is 21" Diamater with a 3" hole in the middle. Place bleed background to fill document.

Mike Langille  
Rickshaw runners Of Toronto Media  
308 Adelaide St West  
Toronto On,  
M5V 1P6  
T 416 260 1318  
Mobile 416 930 7146  
[www.RickshawAdvertising.com](http://www.RickshawAdvertising.com)  
[michael@RickshawAdvertising.com](mailto:michael@RickshawAdvertising.com)

